

## H101-PRIOR-NZ100-H107

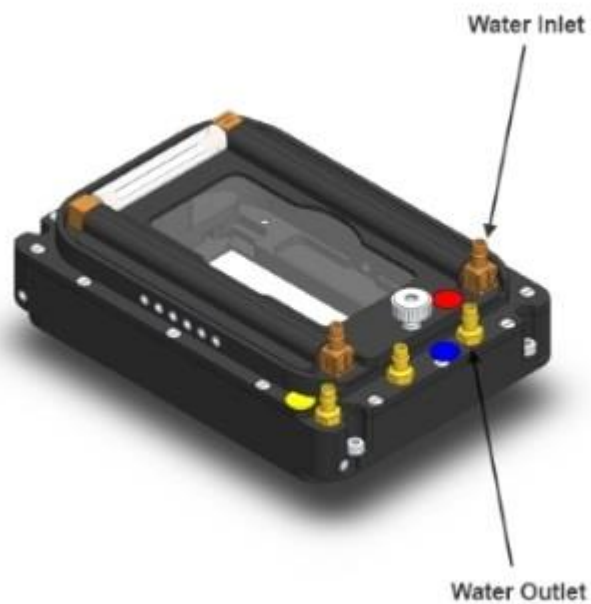
**Stage Compatibility:** fits in Prior NZ100/200 on Prior H107 and PI P-736

**Magnetic inserts allow to use:**

- 35/60 mm Petri
- 1x3 in. / 1x2 in. chambered slides

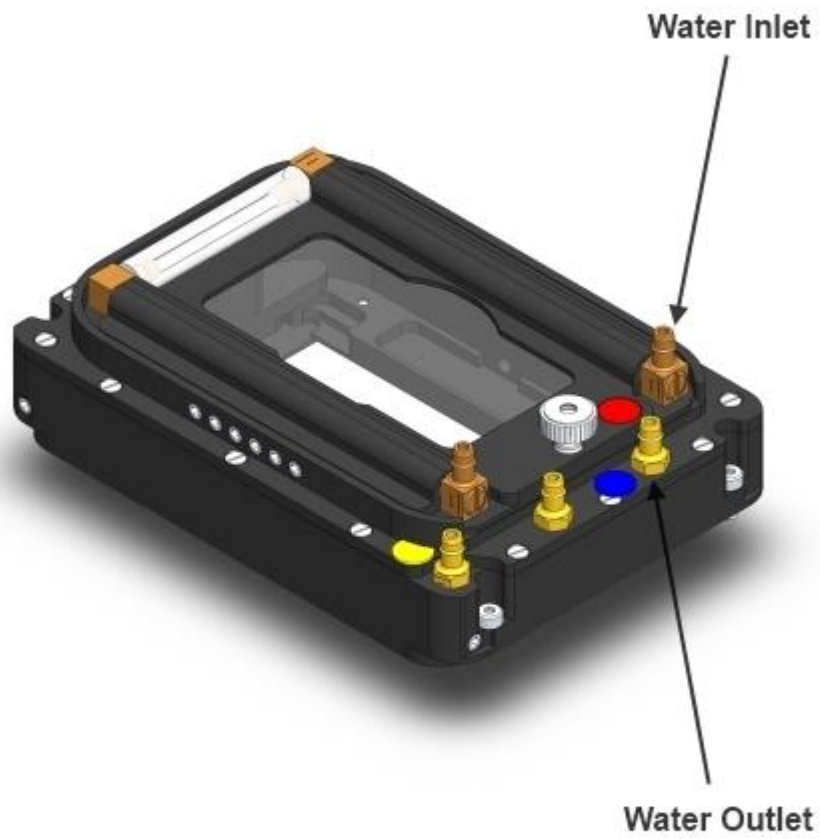
**Features:**

- Chamber uniformly heated by means water circulation in water tight channels present in the main body and in the lid
- Perfusion holes: 12 channels for 2.5mm O.D. tubings are available in chamber riser



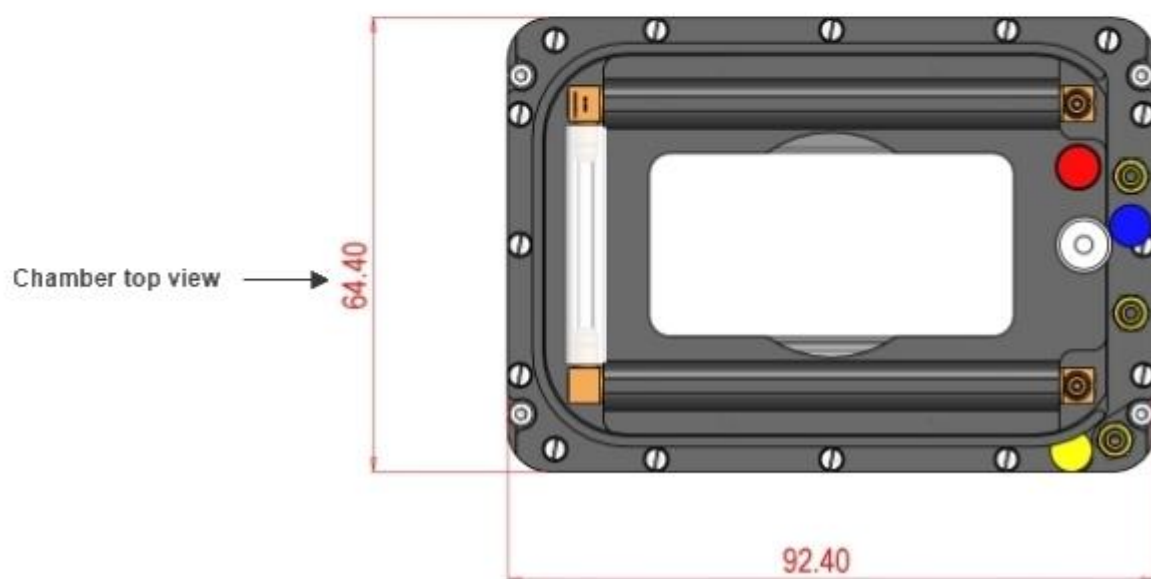
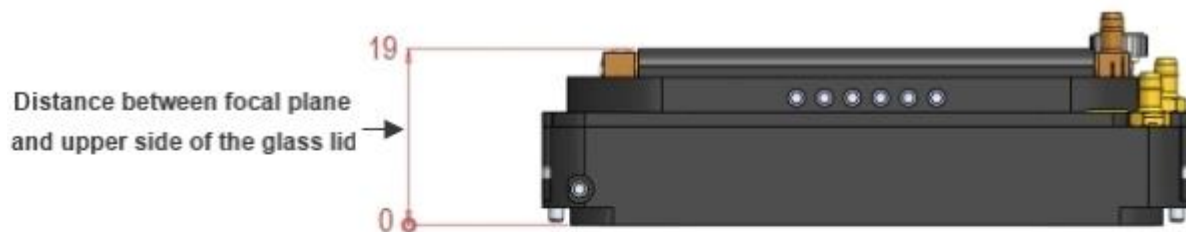
### AVAILABLE INSERTS

<b>H101-1x35-PRIOR-NZ100</b>	#1 35mm Petri-dish
<b>H101-1xGS-PRIOR-NZ100</b>	#1 1x3in. chamber slide
<b>H101-1xLABTEK-PRIOR-NZ100</b>	#1 Lab-Tek 1x2 in. chambered cover glass
<b>H101-1xLABTEK-II-PRIOR-NZ100</b>	#1 Lab-Tek II 1x2 in. chambered cover glass

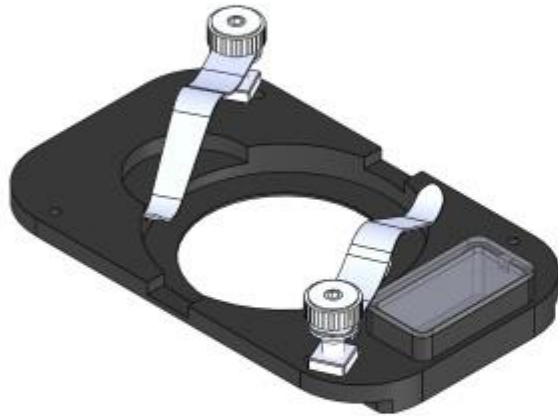


**H101-PRIOR-NZ100-H107**

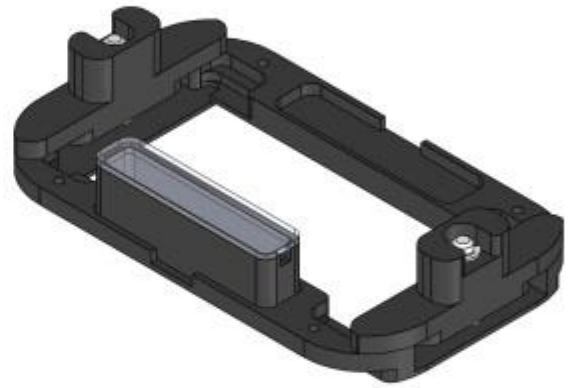
H101-PRIOR-NZ100-H107 - 3D View



H101-PRIOR-NZ100-H107 - Dimensions



**H101-1x35-PRIOR-NZ100**  
For #1 35mm Petri-dish



**H101-1xGS-PRIOR-NZ100**  
For #1 1"x3" chamber slide

H101-PRIOR-NZ100-H107 - Magnetic Inserts